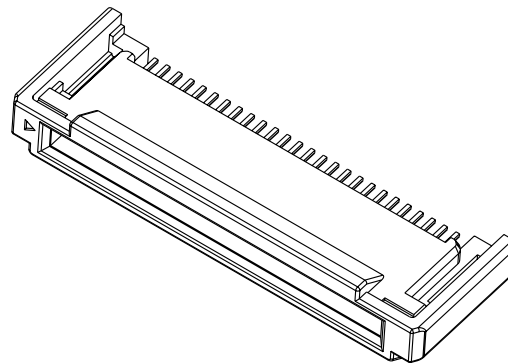
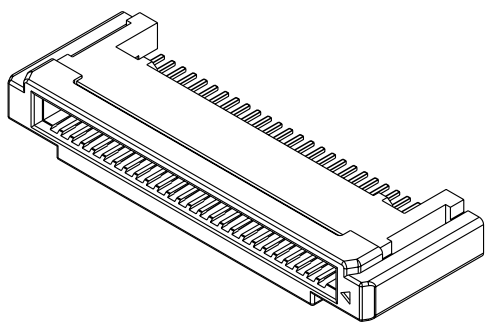
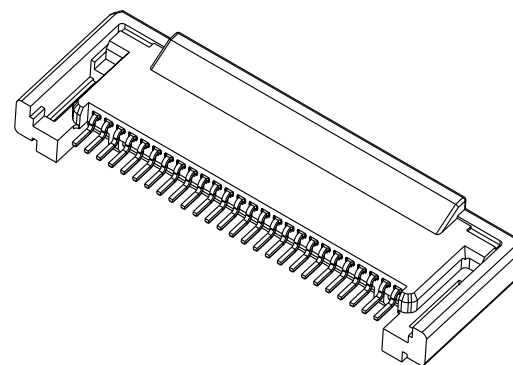
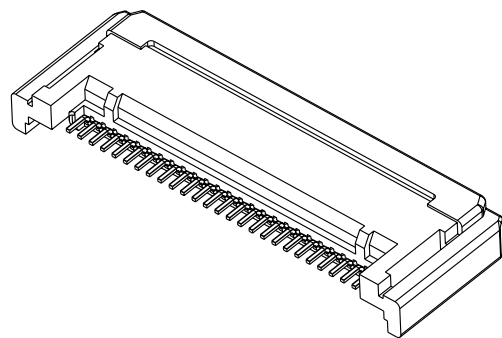


PRODUCT NUMBER	REMARK
10030570-1XXXLF	SEE NOTE 3
10030570-2XXXLF	SEE NOTE 3
10030570-3XXXLF	SEE NOTE 3



NOTES:

- MATERIAL:
HOUSING : HIGH TEMPERATURE THERMOPLASTIC,
UL 94V-0 FLAME RETARDANT.
TERMINAL : COPPER ALLOY.
PLATING SPEC. AS BELOW :
Ni 50u" UNDER PLATED.
Au 30u" OVER CONTACT AREA. (ONE SIDE)
Tin 120u" OVER SOLDERING AREA.
- PRODUCT PERFORMANCE PER SPEC. GS-12-292, "LF" MEANS LEAD FREE.
- PART NUMBER SCHEME :
10030570- X X X X LF

PACKAGING
2 : TAPE AND REEL
3 : TRAY

CONTACT PLATING
1 : GOLD
2 : GXT

PLASTIC COLOR
1 : BLACK

SOLDER TAIL OFFSET
1 : +0.00
2 : +0.30
3 : +0.60

- THIS PRODUCT IS RoHS COMPLIANT, AND MEETS EUROPEAN UNION DIRECTIVES AND OTHER COUNTRY REGULATIONS AS PER GS-22-008.

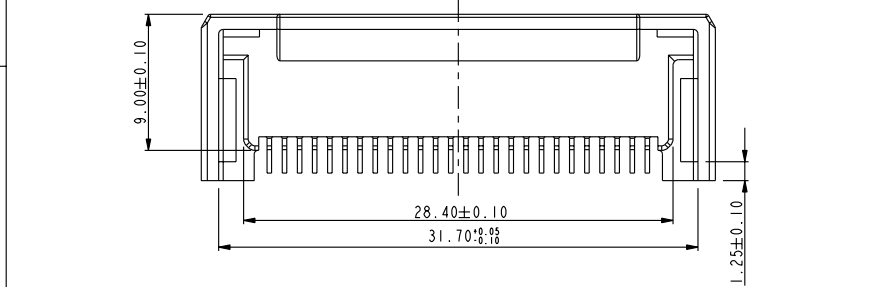
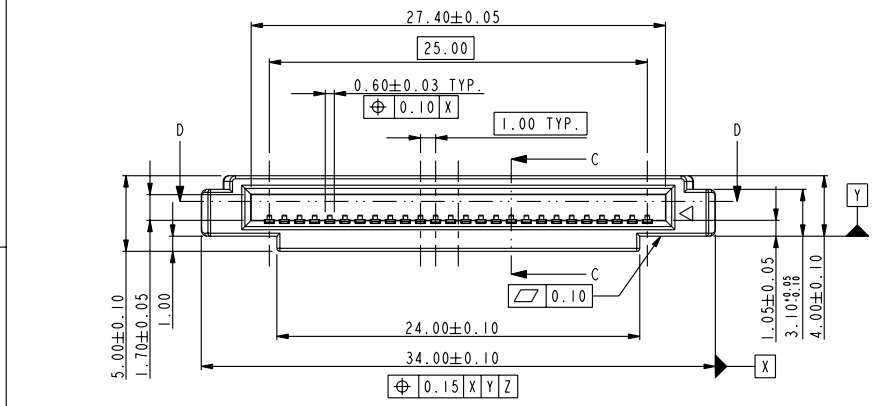
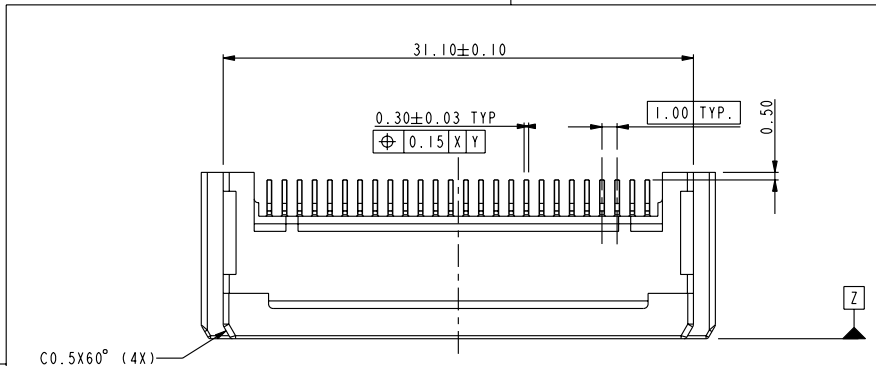
rev	ecn no	dr	date
H	T07-0062	H B	2007/03/08
J	N07-0164	MIAO	2007/07/16
K	N07-0181	MIAO	2007/08/08
L	N08-0025	R.B	2008/01/29
-	-	-	-
-	-	-	-
-	-	-	-

www.fciconnect.com			surface <input checked="" type="checkbox"/>	tolerance std	projection	MM	
			TOLERANCES UNLESS OTHERWISE SPECIFIED				
Dr	Rick Bian	2007/08/23	ANGULAR	0.X	±0.50	size A4	Scale 2.000
Eng	Rick Bian	2007/08/23		LINEAR	0.XX	±0.30	
Chr	Daniel Tao	2007/08/23	0° ±3°	0.XXX	±	ECN	
Appr	JOSEPH HSIA	2007/08/23	Product family		Spec ref		
			title EXPRESSCARD MODULE CONNECTOR		dwg no 10030570		Rev. L
			title EXPRESSCARD MODULE CARD KIT		CUSTOMER		sheet 1 of 4
			catalog no 10030570				

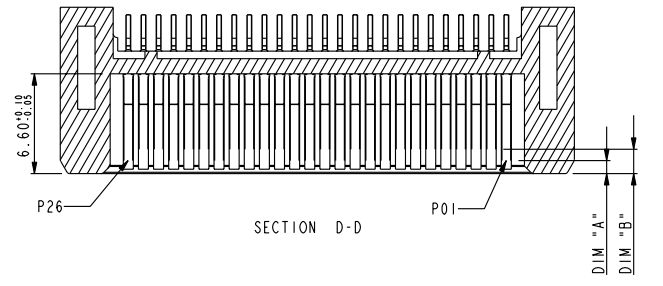


Copyright FCI.

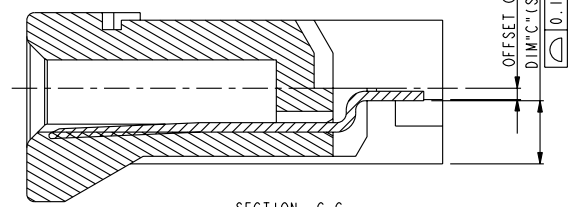
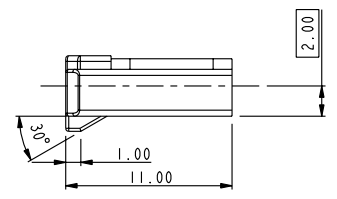
A
B
C
D



SCALE 2.000



FIRST LEVEL		SECOND LEVEL	
DIM. "A"	PIN #	DIM. "B"	PIN #
0.75	1, 9, 10, 12, 14, 15, 20, 23, 26	1.50	2-8, 11, 13, 16-19, 21, 22, 24, 25



SECTION C-C
SCALE 5.000

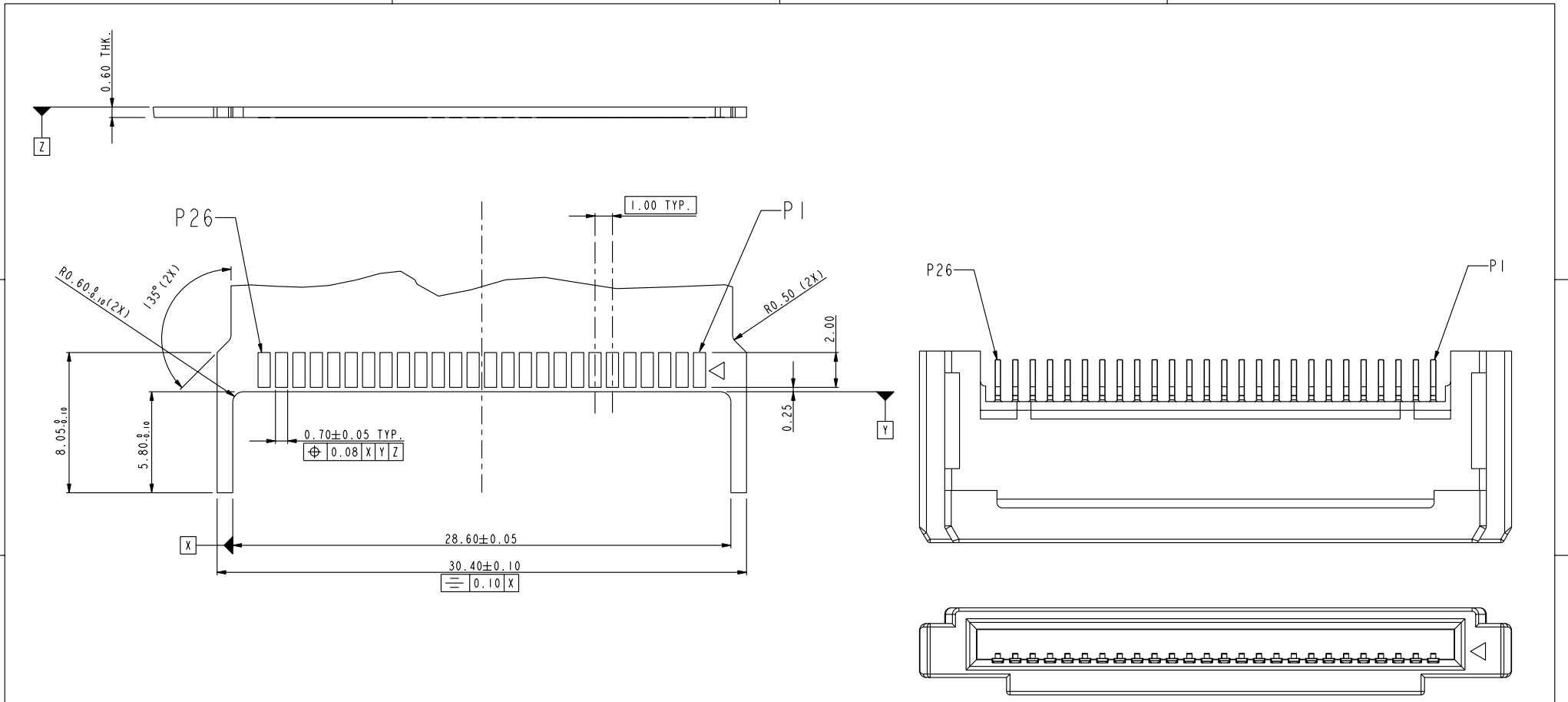
PART NO.	OFFSET OPTION	DIM "C"	TOLERANCE
10030570-1XXXLF	OFFSET +0.00	1.95	+0.10 -0.10
10030570-2XXXLF	OFFSET +0.30	1.65	
10030570-3XXXLF	OFFSET +0.60	1.35	

www.fciconnect.com			surface <input checked="" type="checkbox"/>	tolerance std	projection	MM
TOLERANCES UNLESS OTHERWISE SPECIFIED						
Dr	Rick Bian	2007/08/23	ANGULAR	LINEAR	0.X	±0.50
Eng	Rick Bian	2007/08/23			0.XX	±0.30
Chr	Daniel Tao	2007/08/23	0°	±3°	0.XXX	±
Appr	JOSEPH HSIA	2007/08/23	Product family			Spec ref
FCI		title EXPRESSCARD MODULE CONNECTOR		dwg no 10030570		Rev. L
		title EXPRESSCARD MODULE CARD KIT		customer 10030570		sheet 2 of 4
		catalog no 10030570				

REV F - 2006-04-17



Copyright FCI.



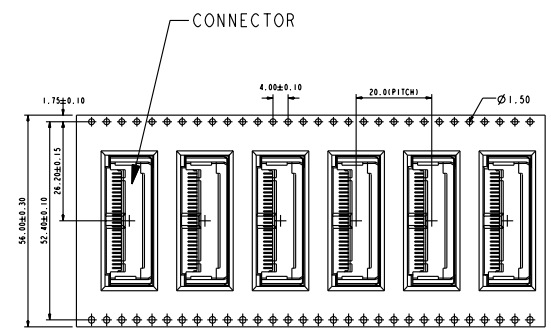
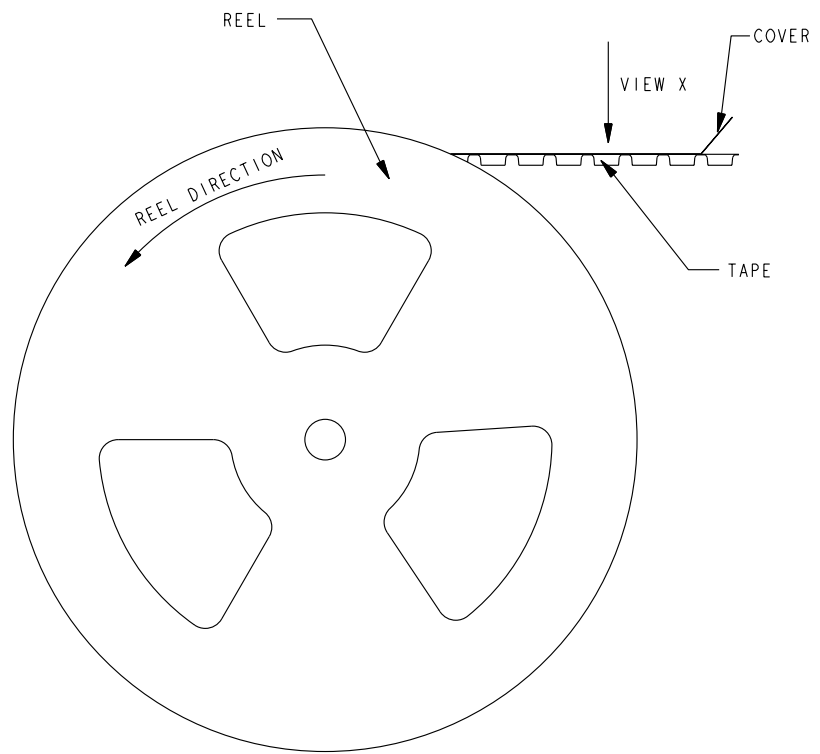
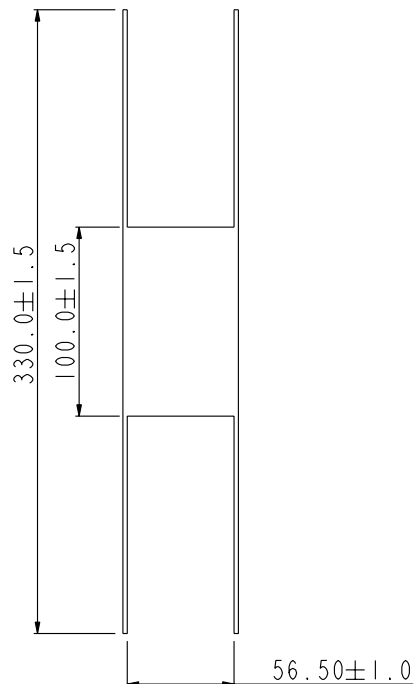
RECOMMENDED PCB LAYOUT

www.fciconnect.com			surface <input checked="" type="checkbox"/>	tolerance std	projection	MM				
			TOLERANCES UNLESS OTHERWISE SPECIFIED							
Dr	Rick Bian	2007/08/23	ANGULAR	LINEAR	0.X	± 0.50	size	A4	Scale	1.000
Eng	Rick Bian	2007/08/23			0.XX	± 0.30				
Chr	Daniel Tao	2007/08/23	0°	$\pm 3^\circ$	0.XXX	\pm	ECN			
Appr	JOSEPH HSIA	2007/08/23	Product family				Spec ref			
			title EXPRESSCARD MODULE CONNECTOR EXPRESSCARD MODULE CARD KIT			dwg no 10030570		Rev. L		
catalog no			10030570			CUSTOMER		sheet 3 of 4		

REV F - 2006-04-17



Copyright FCI.



VIEW X, SCALE 2:1

www.fciconnect.com			surface	<input checked="" type="checkbox"/>	tolerance	std	projection	MM	
			TOLERANCES UNLESS OTHERWISE SPECIFIED						
Dr	Rick Bian	2007/08/23	ANGULAR	LINEAR	0.X	±0.50	size	A4	
Eng	Rick Bian	2007/08/23			0.XX	±0.30	Scale	1.000	
Chr	Daniel Tao	2007/08/23	0°	±3°	0.XXX	±	ECN		
Appr	JOSEPH HSIA	2007/08/23	Product family				Spec ref		
			title			EXPRESSCARD MODULE CONNECTOR		dwg no	10030570
			EXPRESSCARD MODULE CARD KIT			Rev.			
			catalog no			10030570		CUSTOMER	sheet 4 of 4

REV F - 2006-04-17